



LION GUN® Electric Torque Tool - DUAL SPEED

The LION GUN Electric Torque Tool offers unmatched portability and convenience while making bolting safer, faster, and simpler than ever. Now available in Dual Speed, the LION GUN Tool shifts easily from high speed rundown to accurate torque mode, eliminating the need for multiple systems. This light-weight, 18 Volt battery powered tool driven by a brushless motor delivers up to 125 ft-lbs. The ergonomic pistol grip and an attachable side handle gives greater control on all bolting operations. Built-in data recording provides a permanent record of the work performed. This tool is compatible with conventional sockets, the HYTORC Washer, and the HYTORC Nut.

DUAL SPEED



The Dual Speed collar allows the user to quickly shift from high speed rundown to precision torque. The gear shifter has a knurled surface providing a firm grip for ease of shifting. The user can quickly rundown a fastener, then shift to high accuracy torque to bring fasteners to specification, all with one bolting system.

ERGONOMIC DESIGN

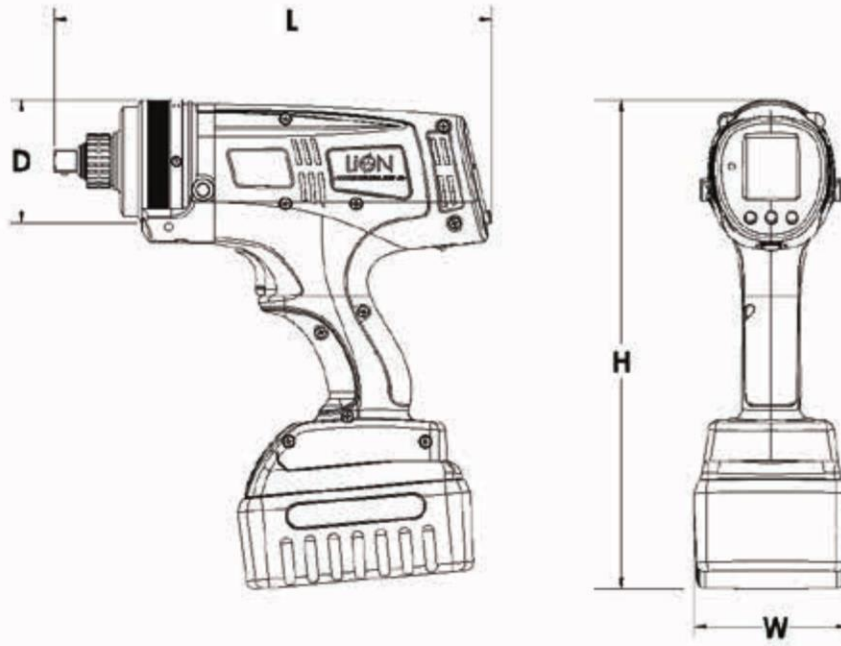


The ergonomic pistol grip and an attachable side handle gives greater control on all bolting operations. The side handle's ribbed surface provides a non-slip grip and can be conveniently installed on either side of the tool.

DATA RECORDING



Built-in data recording allows the user to maintain a log of all completed bolting jobs. For improved quality control and accountability, information can be saved to a PC or tablet to provide a permanent record of the work performed.



LEGEND: H = HEIGHT W = WIDTH L = LENGTH D = DIAMETER

MODEL NUMBER	H	W	L	D	SQUARE DRIVE	WEIGHT WITH BATTERY	TORQUE		RPM	
IMPERIAL					in.	lbs.	ft-lbs (Min)	ft-lbs (Max)	High	Low
LIONGUN-.125-BSM-DS	10.94	3.46	9.78	2.76	1/2	6.85	25	125	167	24
METRIC					in.	kg	Nm (Min)	Nm (Max)	High	Low
LIONGUN-.125-BSM-DS	278	88	284	70	1/2	3.1	33	170	167	24

COMPLETE KIT CONTENTS

- LION GUN Electric Torque Tool
- Reaction Arm
- Storage Case
- 18V Battery
- Battery Charging System
- Operation Manual
- Side Handle
- Calibration Certificate

LST	—	.125	—	BSM	—	DS
Model: LION GUN TOOL		Capacity: Available: .125		Communication: BSM: Bluetooth Wireless Technology		DUAL SPEED DS: Dual Speed

The World's Most Trusted Industrial Bolting Systems

HYTORC owns all content, copyrights, trademarks and patents in this document. © 2022 HYTORC. Any unauthorized use or distribution of any material from this document is strictly prohibited.



Headquarters:
12420 TEXACO RD.
HOUSTON, TX 77013
Phone:
713-453-6677

Email:
sales@hytorctexas.com
Online:
www.hytorctexas.com